



Superior Quality



Genuine Parts

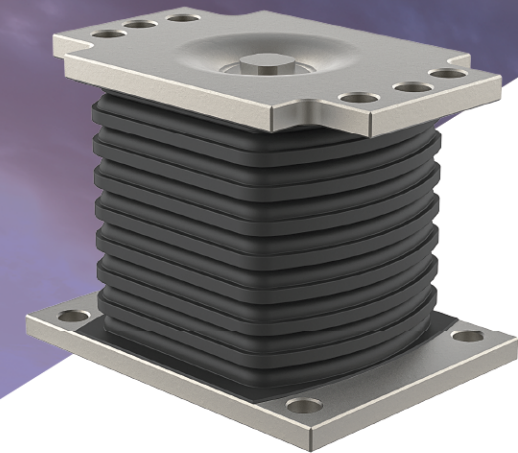


Assured Service



ADAPTED TO PERFORM !

Accurub Hollow Spring Mount



Improvised with superior strengthened materials developed with hands-on expertise, Accurub's Hollow Spring Mounts are designed to offer significant noise reduction, improved driving comfort stability as well and protection of the leaf springs from sudden impact load at any point in time. The adapted design of the Hollow Spring Mounts offers flexible spring rates, depending on the load situation along with a soft spring rate for high driving comfort when the vehicle is unloaded, making them an ideal solution for commercial vehicles in varying operating conditions.

Bolsters are accurately developed to withstand even the unexpected forces and loads that your vehicle may come across on any road during its life span. Accurub's Hollow Spring Mounts are born to give your vehicle a true champion on the road which is certain to give an extra mile to your ride in the long haul.

Material Specification



Raw Material Analysis Coating

- Specialised coating ensures enhanced resistance when subjected to harsh environmental conditions
- Superior and sleek finish



Metal Sheets

- Specialised high-strength steel-graded plates integrated with hardened bolt limit the maximum spring deflection, resulting in high durability and reliable performance
- Withstand high-impact load without deformation



Rubber Compound

- Validated rubber formulation to withstand maximum compression and tension in off-road conditions
- Bolsters are less likely to develop premature cracks due to oxidation
- Engineered rubber formulation for protection against dirt, debris, and high temperature to promote high fatigue life

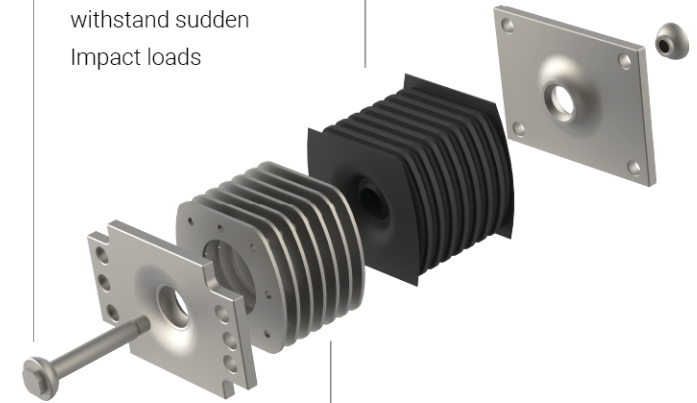
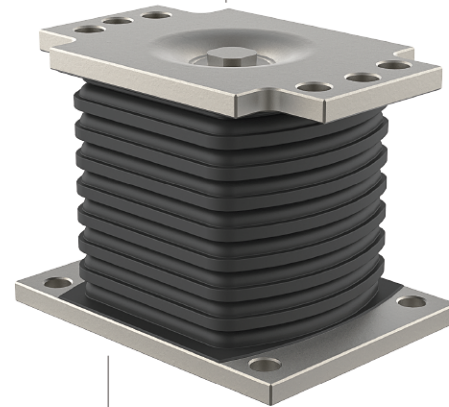
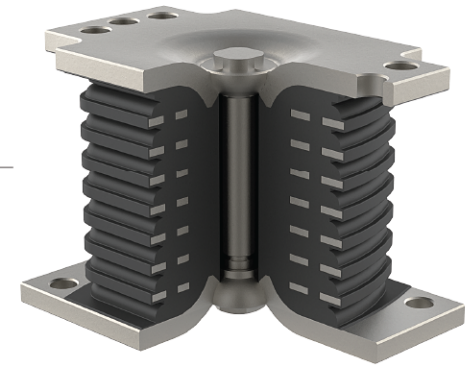
Accurub Hollow Spring Mount

High-strength alloy grade plates used to sustain the maximum spring deflections

Specialised coating ensures enhanced resistance when subjected to harsh environmental conditions

High strength hardened bolts and nuts that can withstand sudden impact loads

Premium quality polymer to withstand maximum compression and tension



High-quality adhesive application to withstand the bonding of polymer and metal plates

The adapted design of the bolster spring offers flexible spring rates depending on the load situations

Robust construction and assembly