



Superior Quality



Genuine Parts



Assured Service

ACCURUB
Drive Beyond Miles

BUILD TO PERFORM !

Accurub V Stay Arm & Torque Rods



Developed with specifically chosen materials in our integrated R&D tech centre, Accurub's V-Stay Arms and Torque Rods are the idealised development of what the demanding NVH has to offer as a high quality damping products. Backed by in-house durability testing machines up to **400 KN**, Accurub's V -Stay Arms and Torque Rods are tested to last up to 1 million cycles at **80 KN** of load. With complete expertise of 25 years with our in-house manufacturing divisions of precision steel tubes, forgings and rubber, quality for Accurub's V- Stay Arms and Torque Rods are paramount.

Accurub's V-Stay Arms and Torque Rods are the true game changer on roads for heavy duty trucks, trusted at each mile for long lasting ride.



Rubber Compound

- Proprietary rubber formulation to give extended durability
- Outstanding oxidation resistance of bushes
- Heat and aging resistant for maximum fatigue life



Metal Tubes

- High strength grade in steel tubes allow to bear maximum load in rough conditions
- High load bearing and tensile strength



Hot Crimping Technology

- Forged ends are crimped with steel tubes using hot crimping technology for optimised joint strength
- Superior resistance to sudden impact load during off road drive

Accurub V Stay Arm

Robust construction and design for maximised performance

High strength material protects from overload and ensure high durability in maximum load conditions



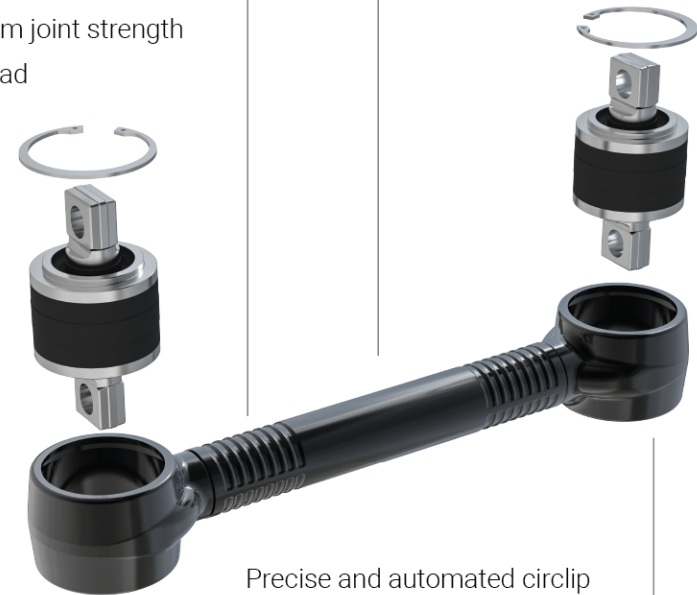
Premium quality rubber formulation to withstand durability and adaptable stiffness at all points

Precise and automated circlip fitting to ensure robust construction of bushes

Accurub Torque Rod

Hot crimping quality gives maximum joint strength under load

CED coating layer assures corrosion resistance and sleek finish



Precise and automated circlip fitting to ensure robust fitment of bushes